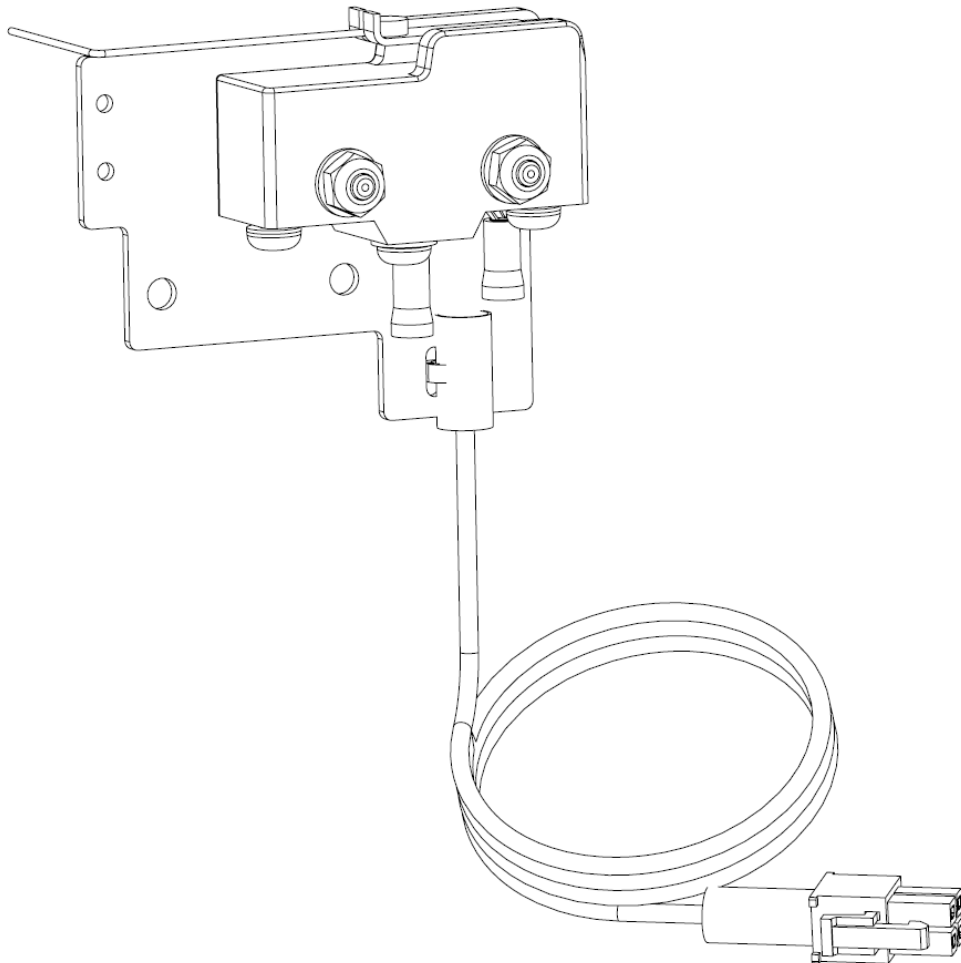




## 101-1009: Mark 7<sup>®</sup> PrimerSense – 1050/RL1100

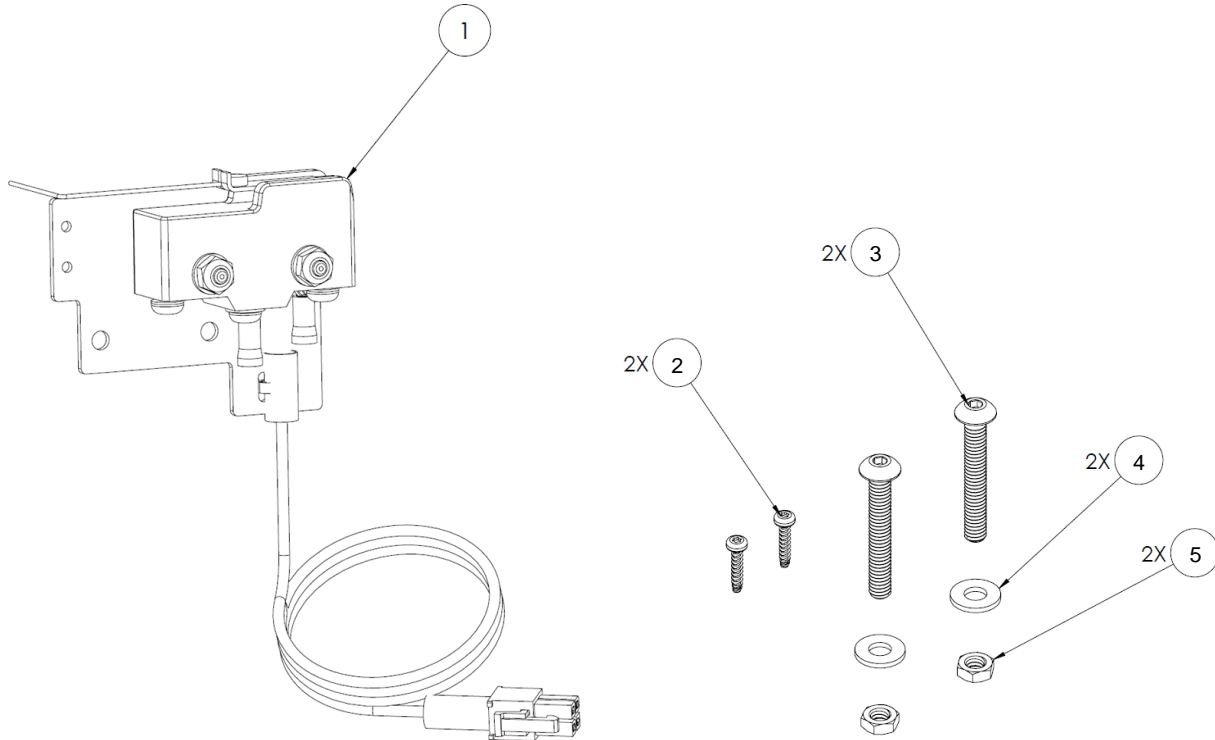
### Instruction Manual V 1.1



**Read this manual completely. Understand all safety and operating instructions. Failure to comply with the warnings and instructions may result in serious injury, illness or death.**

## Package Contents

Please review these contents and inform us right away if you appear to be missing any of these items:



Item No.	Description	QTY
1	PrimerSense – 1050/RL1100	1
2	Thread Forming M2.26 X .91 T6 Drive Screw	2
3	8-32 Thread, 1-1/8" Long, Button Head Screw	2
4	#8 Washer, 0.172" ID, 0.375" OD	2
5	#8 Low Profile Hex	2



## Set-Up Procedures:

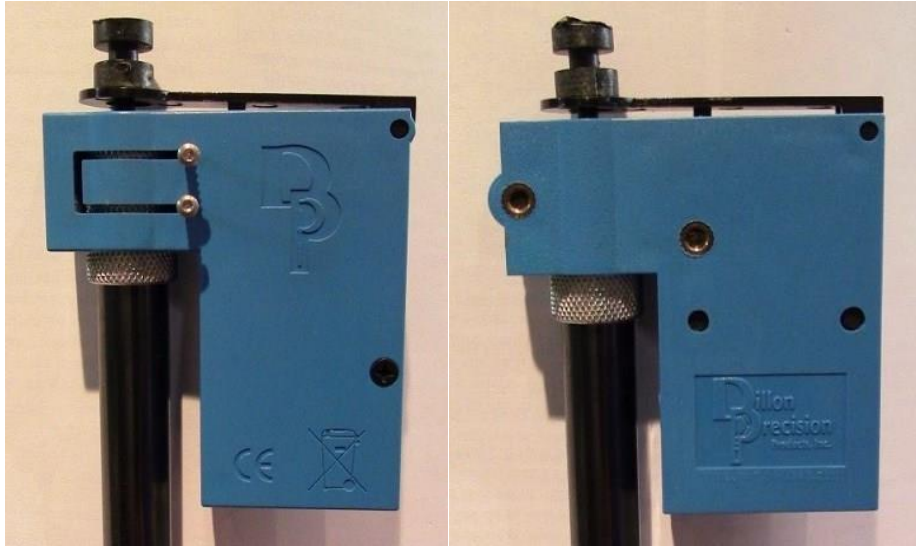


Figure 1: New Style Left, Old Style Right

1. The PrimerSense mount works with both the new and old-style Dillon low primer alarms.
  - Mounting on the new style primer alarm requires the Torx screws that thread into existing holes inside (see below left).
  - Mounting for the old style requires replacing the bottom 8-32 screws with the screws supplied with the mount (see below right).

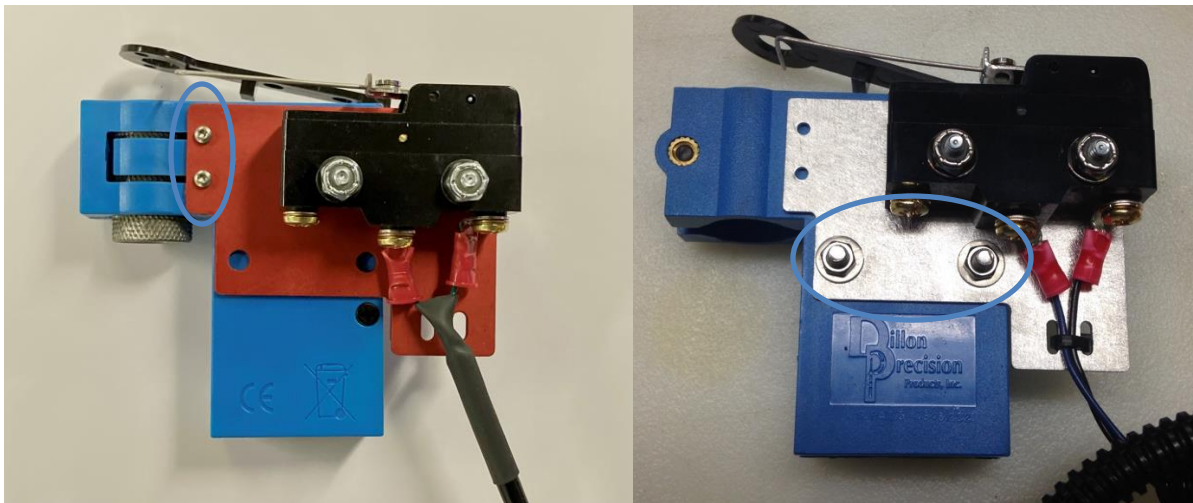


Figure 2: New Style mounted (left), Old style Mounted (right)

**Note:** It may be required to bend up the arm on the micro switch and to add a weight to the primer follower to ensure the switches trigger correctly.

2. Insert the PrimerSense into I/O Port #1 shown below then enable on the sensors tab and perform a calibration before use.

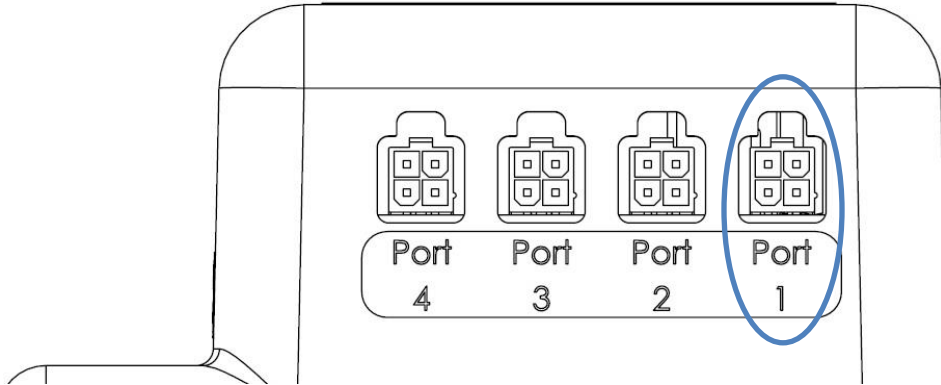


Figure 3: Port Layout



Figure 4: Sensor Configuration Tab



## Troubleshooting

Refer to the knowledge base section on our website under **SUPPORT** for troubleshooting articles relating to setup and operation.

<http://www.markvii-loading.com/knowledgebase>

### **Please contact us for technical support**

Phone: 1-888-462-7577

Hours: 9:00am-4:30pm, ET, M-F